

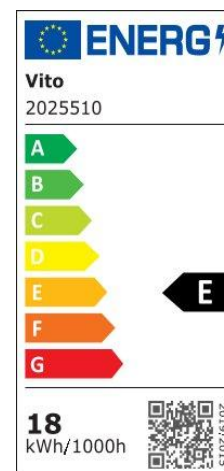
# Product Data Sheet

## INDOOR LIGHTING

DARIA 18W



CODE: 2025510



### Area of application

Round Recessed Backlighted LED panel with Adjustable Cut-Size Feature.  
Ceilings of Corridors/Rooms in offices, shopping malls, commercial&residential areas.

### Product Advantages

DARIA series LED CEILING LIGHTING with electrostatically-painted mat White Aluminium body and anti-yellow UGR<19 Polycarbonate diffuser presents 1785Lm lighting performance and 20000Hours long lifetime.This 17W model includes 4000K (NATURAL WHITE) backlit LED for 120° light beam-angle as desired lighting flexibility.It's ready to be operated with its easy installation and maintenance.

# Product Data Sheet

## INDOOR LIGHTING

DARIA 18W

CODE: 2025510

### Product Features

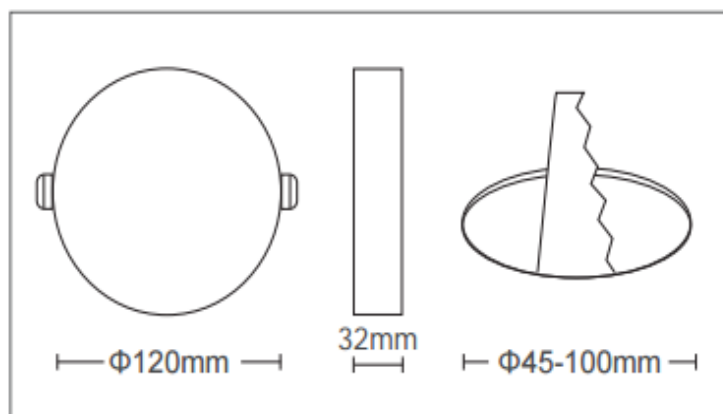
#### Electrical

Power (Watt): 18  
Voltage: 85-265V AC ~ 50/60Hz  
Power Factor: >0.5  
Electrical Protection: Class II  
Surge Protection: --  
Dimmability: NO  
Switch Cycle (Times): 15000

#### Material Characteristics

IP Class: Frontal IP44  
IK Class: -  
Material: Aluminium + Polycarbonate  
Ambient Temperature: -20°C<ta<+50°C  
Body Color: WHITE  
Product Size (mm): Ø120x32

#### Technical Drawing



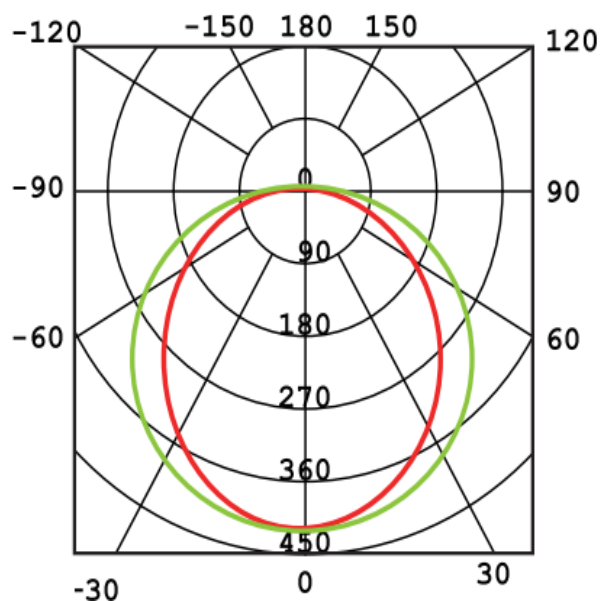
#### Lighting

Lumen (Lm): 1872  
Luminaire efficacy (Lm/W): 104  
Colour Temperature: 4000K (NATURAL WHITE)  
Beam Angle: 120°  
CRI: Ra >80  
Lifetime (Hours): 20000  
EEL : E

#### Packing Informations

Pieces/Outbox: 40  
Outbox Size (mm): 440x270x310  
Outbox G.W. (Kg): 5,1  
Outbox Volume (m<sup>3</sup>): 0,0368  
Unit Weight (Gr): 127,5  
Barcode : 6972538043337

#### Light Distribution Curve



System Definition: VT/DARIA-R/18W/40K/SMD/Ø45-100/CB/FRAMELESS/REC

VITO EUROPE  
102 Iztochna Tangenta str. 4th Floor  
P.C. 1528, Sofia/Bulgaria  
Phone: +359 2 4341575  
E-mail: info@vitoeuropa.com

[www.vitolighting.com](http://www.vitolighting.com)