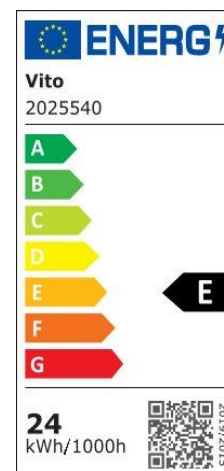


Product Data Sheet

INDOOR LIGHTING

DARIA 24W

CODE: 2025540



Area of application

Round Recessed Backlighted LED panel with Adjustable Cut-Size Feature.
Ceilings of Corridors/Rooms in offices, shopping malls, commercial&residential areas.

Product Advantages

DARIA series LED CEILING LIGHTING with electrostatically-painted mat White Aluminium body and anti-yellow UGR<19 Polycarbonate diffuser presents 2520Lm lighting performance and 20000Hours long lifetime.This 24W model includes 4000K (NATURAL WHITE) backlit LED for 120° light beam-angle as desired lighting flexibility.It's ready to be operated with its easy installation and maintenance.

Product Data Sheet

INDOOR LIGHTING

DARIA 24W

CODE: 2025540

Product Features

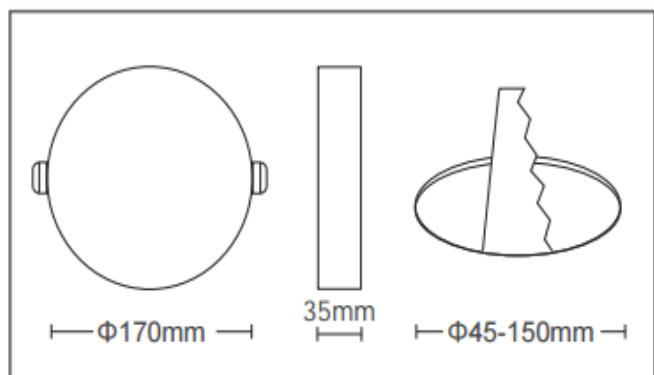
Electrical

Power (Watt): 24
Voltage: 85-265V AC ~ 50/60Hz
Power Factor: >0.5
Electrical Protection: Class II
Surge Protection: --
Dimmability: NO
Switch Cycle (Times): 15000

Material Characteristics

IP Class: Frontal IP44
IK Class: -
Material: Aluminium + Polycarbonate
Ambient Temperature: -20°C<ta<+50°C
Body Color: WHITE
Product Size (mm): Ø170x35

Technical Drawing



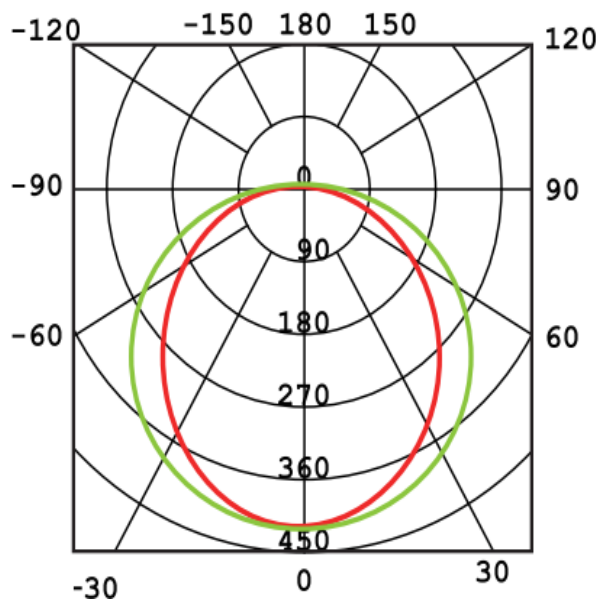
Lighting

Lumen (Lm): 2544
Luminaire efficacy (Lm/W): 106
Colour Temperature: 4000K (NATURAL WHITE)
Beam Angle: 120°
CRI: Ra >80
Lifetime (Hours): 20000
EEL : E

Packing Informations

Pieces/Outbox: 30
Outbox Size (mm): 540x230x410
Outbox G.W. (Kg): 5,9
Outbox Volume (m³): 0,0509
Unit Weight (Gr): 196,67
Barcode : 6972538043351

Light Distribution Curve



System Definition: VT/DARIA-R/24W/40K/SMD/Ø45-150/CB/FRAMELESS/REC

VITO EUROPE

102 Iztochna Tangenta str. 4th Floor

P.C. 1528, Sofia/Bulgaria

Phone: +359 2 4341575

E-mail: info@vitoeurope.com

www.vitolighting.com