

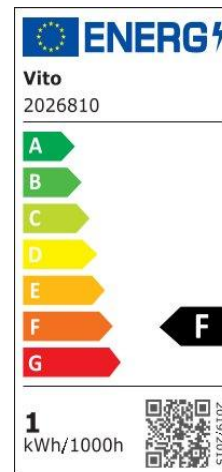
# Product Data Sheet

INDOOR LIGHTING

ZANZI-P 1W



CODE: 2026810



## Area of application

Round recessed LED spot light with full plastic body.

For indoor LED lighting applications to be installed on ceilings of corridors/rooms in homes, shopping malls, commercial areas..

## Product Advantages

ZANZI-P series plastic body indoor LED spot lighting presents a quick and easy applications for your general spot lighting needs..

# Product Data Sheet

INDOOR LIGHTING

ZANZI-P 1W

CODE: **2026810**

## Product Features

### Electrical

|                                 |
|---------------------------------|
| Power: 1Watt                    |
| Voltage: 100-240V AC ~ 50/60Hz  |
| Power Factor: >0.5              |
| Electrical Protection: Class II |
| Surge Protection: --            |
| Dimmability: NO                 |
| Switch Cycle: 25000 times       |

### Material Characteristics

|                                     |
|-------------------------------------|
| IP Class: IP20                      |
| IK Class: -                         |
| Material: PC                        |
| Ambient Temperature: -25°C<ta<+50°C |
| Body Color: WHITE                   |
| Product Size: $\Phi$ 35x29mm        |

### Technical Drawing



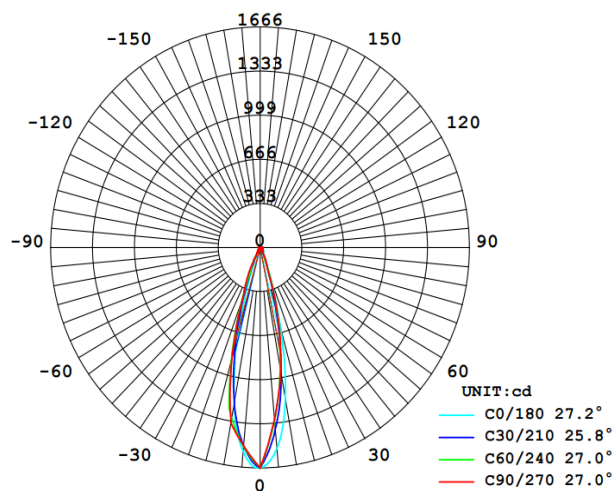
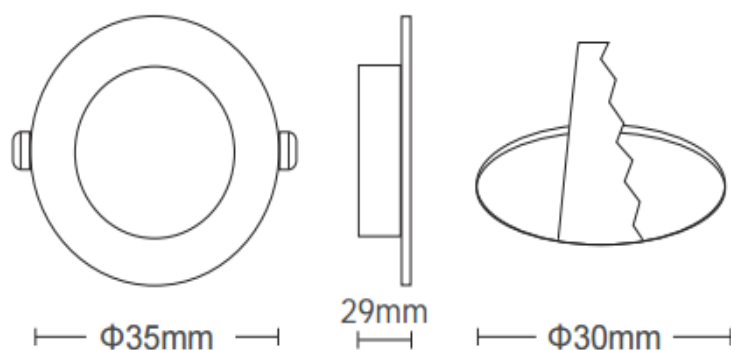
### Lighting

|  |
|--|
| Lumen: 75 Lm                           |
| Luminaire efficacy: 75 Lm/W            |
| Colour Temperature: 3000K (WARM WHITE) |
| Beam Angle: 30°                        |
| CRI : Ra >80                           |
| Lifetime; 25000 Hours                  |
| EEL : F                                |

### Packing Informations

|                                      |
|--------------------------------------|
| Pieces/Outbox: 100                   |
| Outbox Size: 570x170x290 mm          |
| Outbox G.W.: 2,8 Kg                  |
| Outbox Volume: 0,0281 m <sup>3</sup> |
| Unit Weight: 28 gr                   |
| Barcode : 6972538049544              |

### Light Distribution Curve



VITO EUROPE

102 Iztochna Tangenta str. 4th Floor

P.C. 1528, Sofia/Bulgaria

Phone: +359 2 4341575

E-mail: [info@vitoeurope.com](mailto:info@vitoeurope.com)

[www.vitolighting.com](http://www.vitolighting.com)