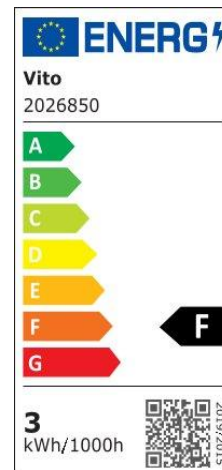


Product Data Sheet

INDOOR LIGHTING

ZANZI-M 3W

CODE: 2026850



Area of application

Round recessed LED spot light with full metal body.

For indoor LED lighting applications to be installed on ceilings of corridors/rooms in homes, shopping malls, commercial areas..

Product Advantages

ZANZI-M series metal body indoor LED spot lighting presents a quick and easy applications for your general spot lighting needs..

Product Data Sheet

INDOOR LIGHTING

ZANZI-M 3W

CODE: 2026850

Product Features

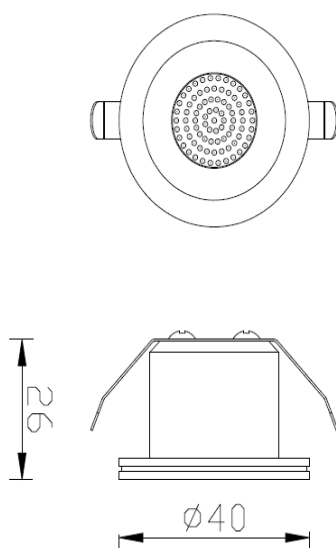
Electrical

Power: 3Watt
Voltage: 100-240V AC ~ 50/60Hz
Power Factor: >0.5
Electrical Protection: Class II
Surge Protection: --
Dimmability: NO
Switch Cycle: 25000 times

Material Characteristics

IP Class: IP20
IK Class: -
Material: Aluminum
Ambient Temperature: -25°C<ta<+50°C
Body Color: mat chrome
Product Size: Ø40x26mm

Technical Drawing



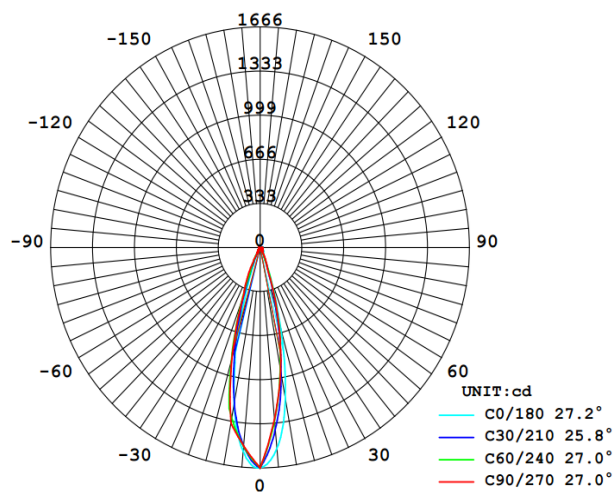
Lighting

Lumen: 225 Lm
Luminaire efficacy: 75 Lm/W
Colour Temperature: 3000K (WARM WHITE)
Beam Angle: 30°
CRI : Ra >80
Lifetime; 25000 Hours
EEL : F

Packing Informations

Pieces/Outbox: 50
Outbox Size: 350x250x280 mm
Outbox G.W.: 3,3 Kg
Outbox Volume: 0,0245 m ³
Unit Weight: 66 gr
Barcode : 6972538049582

Light Distribution Curve



VITO EUROPE

102 Iztochna Tangenta str. 4th Floor

P.C. 1528, Sofia/Bulgaria

Phone: +359 2 4341575

E-mail: info@vitoeuropa.com

www.vitolighting.com