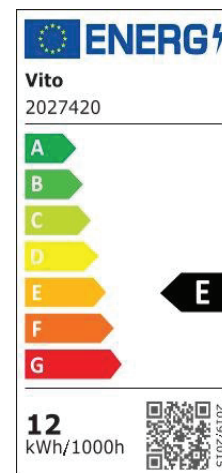


# Product Data Sheet

INDOOR LIGHTING

LARA-S - 12W

CODE: 2027420



## Area of application

Backlighted round surfaced-mounted LED Panels with full plastic body.  
For indoor lighting applications.  
Ceilings of corridors/rooms in homes, shopping malls, commercial areas..

## Product Advantages

LARA series is backlighted round surfaced-mounted LED panels with full plastic body and 3years of warranty. Direct replacement for conventional ceiling lights. Optimized weight and size due to compact DOB design. No flicker for eye protection.

# Product Data Sheet

INDOOR LIGHTING

LARA-S - 12W

CODE: 2027420

## Product Features

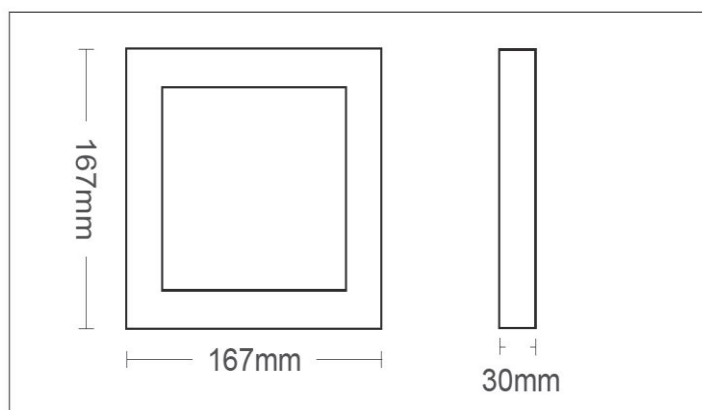
### Electrical

|                                 |
|---------------------------------|
| Power: 12 Watt                  |
| Voltage: 220-240V AC ~ 50/60Hz  |
| Power Factor: >0.6              |
| Electrical Protection: Class II |
| Surge Protection: -             |
| Dimmability: NO                 |
| Switch Cycle: 30000 times       |

### Material Characteristics

|                                     |
|-------------------------------------|
| IP Class: IP20                      |
| IK Class: -                         |
| Material: PP                        |
| Ambient Temperature: -20°C<ta<+40°C |
| Body Color: WHITE                   |
| Product Size: 167,3x30,7x167,3mm    |

### Technical Drawing



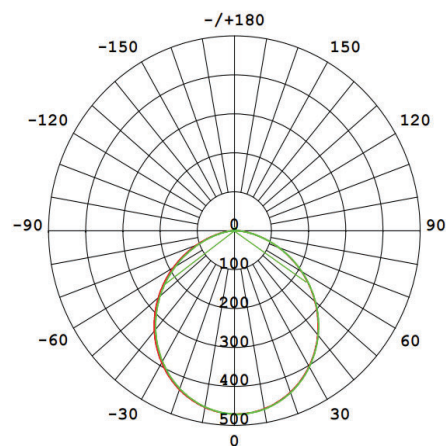
### Lighting

|   |
|---|
| Lumen: 1320 Lm                            |
| Luminaire efficacy: 110 Lm/W              |
| Colour Temperature: 4000K (NATURAL WHITE) |
| Beam Angle: 120°                          |
| CRI : Ra >85                              |
| Lifetime; 30000 Hours                     |
| EEI : E                                   |

### Packing Informations

|                                      |
|--------------------------------------|
| Pieces/Outbox: 60                    |
| Outbox Size: 545x375x375 mm          |
| Outbox G.W.: 14 Kg                   |
| Outbox Volume: 0,0766 m <sup>3</sup> |
| Unit Weight: 233,33333333333333 gr   |
| Barcode : 6970233831143              |

### Light Distribution Curve



VITO EUROPE

102 Iztochna Tangenta str. 4th Floor

P.C. 1528, Sofia/Bulgaria

Phone: +359 2 4341575

E-mail: info@vitoeurope.com

[www.vitolighting.com](http://www.vitolighting.com)