

Product Data Sheet

INDOOR LIGHTING

JULIA-MS

CODE: 2027810



Area of application

Ceiling Lamp with E27 lampholder, 2xRings and Microwave Sensor included.
Indoor&outdoor lighting applications for ceilings of corridors/rooms in homes, shopping malls, commercial areas..

Product Advantages

JULIA -MS is a Ceiling Fixture presents a design flexibility with E27 lampholder and Microwave sensor and 2 different colors Black/White of Rings in its package.

Product Data Sheet

INDOOR LIGHTING

JULIA-MS

CODE: 2027810

Product Features

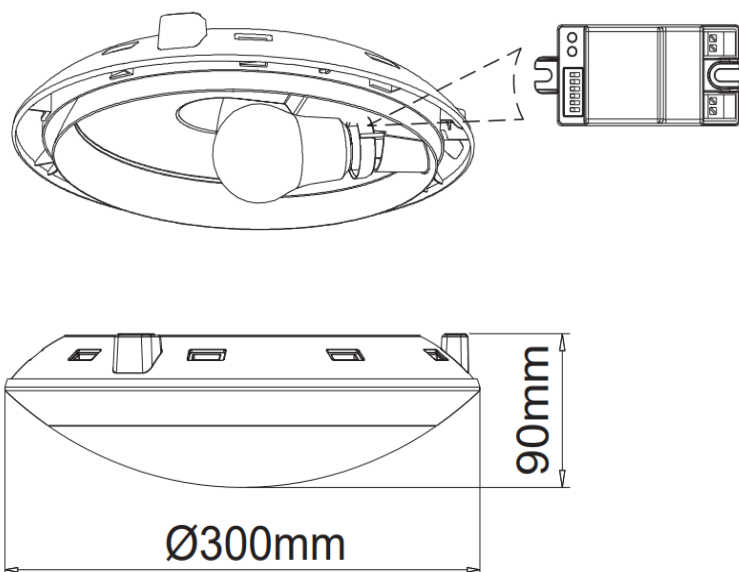
Electrical

Power: --
Voltage: 220-240V AC ~ 50/60Hz
Power Factor: --
Electrical Protection: Class II
Surge Protection: --
Dimmability: NO
Switch Cycle: 20000 times

Material Characteristics

IP Class: IP54
IK Class: -
Material: Aluminum
Ambient Temperature: -20°C<ta<+40°C
Body Color: WHITE (+BLACK RING)
Product Size: Ø300x90mm

Technical Drawing



Lighting

Lumen: --
Luminaire efficacy: --
Colour Temperature: --
Beam Angle: --
CRI : Ra --
Lifetime: --
EEL : --

Packing Informations

Pieces/Outbox: 10
Outbox Size: 633x507x328 mm
Outbox G.W.: 9,27 Kg
Outbox Volume: 0,1053 m ³
Unit Weight: 927 gr
Barcode : 6977231353318

Light Distribution Curve

VITO EUROPE

102 Iztochna Tangenta str. 4th Floor

P.C. 1528, Sofia/Bulgaria

Phone: +359 2 4341575

E-mail: info@vitoeuropa.com

www.vitolighting.com