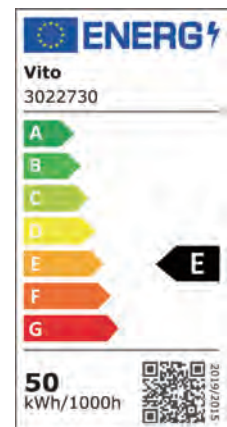


# Product Data Sheet

## LED FLOODLIGHT

**SAVA-S - 50W**

CODE: **3022730**



### Area of application

- Warehouses
- Logistics halls
- Industry
- Indoor and outdoor applications  
eg. in shopping malls, airports,  
commercial buildings)

### Product Advantages

Exclusive VITO design  
Direct replacement for conventional floodlights  
Energy savings of up to 50%  
Optimized weight and size due to compact  
design Mounting bracket included  
Available certificates: CE, EMC, LVD

# Product Data Sheet

## LED FLOODLIGHT

**SAVA-S - 50W**

CODE: **3022730**

### Product Features

Power: 50W

Luminaire efficacy: 100lm/W

Luminous flux: 5000lm

Colour temperature: 6000K

Beam angle: 120°

IP Class: IP65

IK Class: IK08

Lifetime: (L70/B50): up to 30000h

Dimmable: No

Voltage: 185-265V

P.F.: >0.9

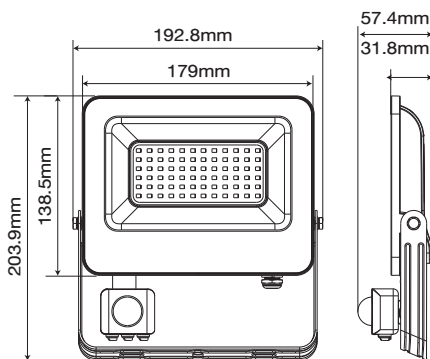
Body color: RAL7024

Body Material: Aluminum

Diffusor material: Tempered Glass

Ambient operating temperature: -20+50 °C

Guarantee: 2 years



### Packing Informations

EAN CODE: 6970233833871

Dimensions: 555x520x285mm

Volume: 0.082m<sup>3</sup>

Gross Weight: 13kgs

Pieces/box: 20