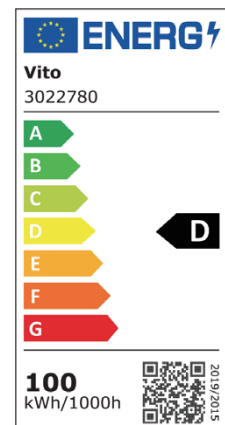


Product Data Sheet

LED FLOODLIGHT

RONA - 100W

CODE: **3022780**



Area of application

- Warehouses
- Logistics halls
- Industry
- Indoor and outdoor
- High ceiling (e.g. in shopping malls, airports, commercial buildings)

Product Advantages

Direct replacement for conventional 200W and 300W HQL High Bay luminaires

Exclusive VITO design

Energy savings of up to 50% compared to conventional high bay luminaires

Optimized weight and size due to compact design

Mounting hook included

Available certificates: CE, CB, EMC, LVD

Product Data Sheet

LED FLOODLIGHT

RONA - 100W

CODE: **3022780**

Product Features

Power: 100W

Luminaire efficacy: 118 lm/W

Luminous flux: 11800lm

Colour temperature: 4000K

Beam angle: 90°

IP Class: IP65

IK Class: Class I

Lifetime: (L70/B50): up to 30000h

Dimmable: No

Voltage: 185-265V

Hyper Voltage Protection: 6KV

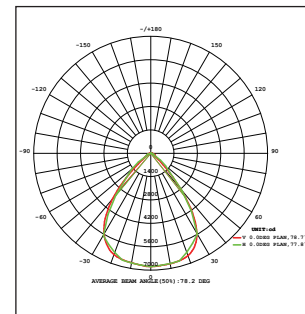
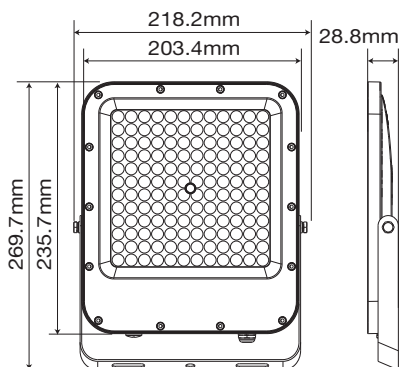
Body color: Grey

Body Material: Aluminum

Lens material: Polycarbonate

Ambient operating temperature: -25+45 °C

Guarantee: 5 years



Packing Informations

Dimensions: 470x405x300mm

Volume: 0.057m³

Gross Weight: 18.1kg

Pieces/box: 20