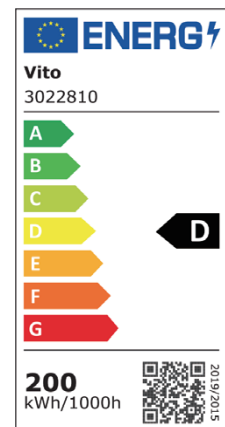


# Product Data Sheet

## LED FLOODLIGHT

RONA - 200W

CODE: **3022810**



### Area of application

- Warehouses
- Logistics halls
- Industry
- Indoor and outdoor
- High ceiling (e.g. in shopping malls, airports, commercial buildings)

### Product Advantages

Direct replacement for conventional 200W and 300W HQL High Bay luminaires

Exclusive VITO design

Energy savings of up to 50% compared to conventional high bay luminaires

Optimized weight and size due to compact design

Mounting hook included

Available certificates: CE, CB, EMC, LVD

# Product Data Sheet

## LED FLOODLIGHT

**RONA - 200W**

CODE: **3022810**

### Product Features

Power: 200W

Luminaire efficacy: 120 lm/W

Luminous flux: 24000lm

Colour temperature: 6000K

Beam angle: 90°

IP Class: IP65

IK Class: Class I

Lifetime: (L70/B50): up to 30000h

Dimmable: No

Voltage: 185-265V

Hyper Voltage Protection: 6KV

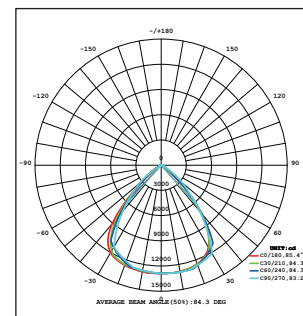
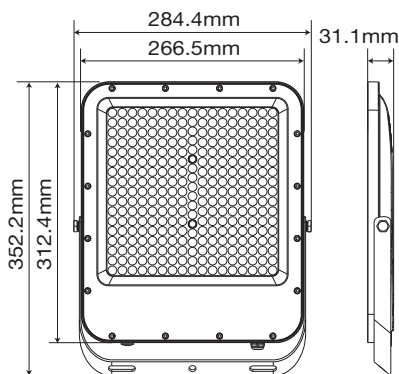
Body color: Grey

Body Material: Aluminum

Lens material: Polycarbonate

Ambient operating temperature: -25+45 °C

Guarantee: 5 years



### Packing Informations

Dimensions: 385x310x380mm

Volume: 0.045m<sup>3</sup>

Gross Weight: 17.23kg

Pieces/box: 10