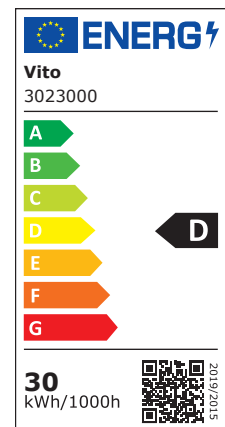


# Product Data Sheet

## LED FLOODLIGHT

DANUBE - 30W

CODE: **3023000**



### Area of application

- For general outdoor lighting applications.
- Outdoor areas of offices, hospitals, schools, shopping malls, parks, warehouses, industrial facilities..

### Product Advantages

Exclusive VITO design with 3CCT function.  
Direct replacement for conventional floodlights.  
No flicker and anti-glare for eye protection.  
Mounting bracket included.  
With 3years of warranty..

# Product Data Sheet

## LED FLOODLIGHT

**DANUBE - 30W**

CODE: **3023000**

### Product Features

Power: 30W

Luminaire efficacy: 116 / 118 / 120 lm/W

Luminous flux: 3480 / 3540 / 3600 lm

Colour temperature: 3xCCT (3000K/4000K/6000K)

Beam angle: 120°

IP Class: IP66

E.P. Class: Class I

Lifetime: (L70/B50): up to 30000h

Dimmable: No

Voltage: 180-265V

P.F.: >0.9

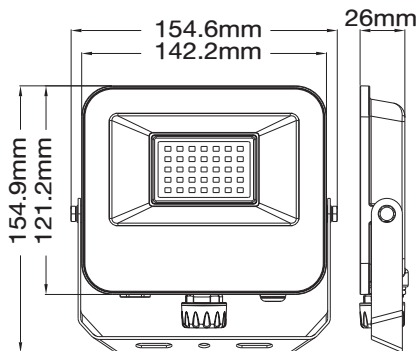
Body color: Grey

Body Material: Aluminum + Tempered Glass

Lens material: Polycarbonate

Ambient operating temperature: -20+50 °C

Guarantee: 3 years



### Packing Informations

Dimensions: 375x345x180mm

Volume: 0.023m<sup>3</sup>

EAN-13: 6977231352069

Gross Weight: 8.79kg

Pieces/box: 20