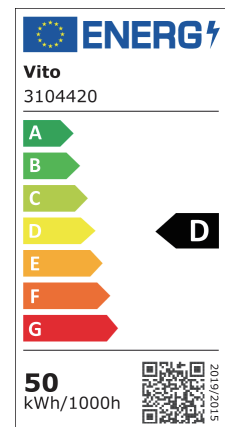


# Product Data Sheet

## LED STREET LAMP

**TIGER - 50W**

CODE: **3104420**



### Area of application

-Parks, Gardens, Streets, Avenues,  
Loading Areas, Highways

### Product Advantages

Exclusive VITO design with 3 years or warranty.

Lumileds brand LED chip inside.

Direct replacement for conventional street lights with High Pressure Bulbs.

Moving pole adaptor with adjustable angle included (55-62mm).

With 4kV Surge Protection.

Power Factor is >0.9

Available certificates: CE; EMC, LVD

# Product Data Sheet

## LED STREET LAMP

**TIGER - 50W**

CODE: **3104420**

### Product Features

Power: 50W

Luminaire efficacy: 120 lm/W

Luminous flux: 6000lm

Colour temperature: 4000K

Beam angle: 70\*135°

IP Class: IP65

IK Class: Class I

Lifetime: (L70/B50): up to 30000h

Dimmable: No

Voltage: 100-265V

Hyper Voltage Protection: 4KV

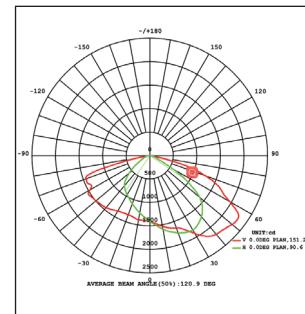
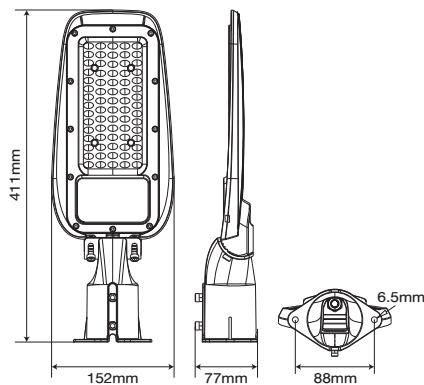
Body color: **RAL 7024**

Body Material: Aluminum+PC

Lens material: Polycarbonate

Ambient operating temperature: -20+60 °C

Guarantee: 3 years



### Packing Informations

Dimensions: 607x391x441mm

Volume: 0.105m<sup>3</sup>

EAN-13: 6977231350072<sup>3</sup>

Gross Weight: 17.11kg

Pieces/box: 20