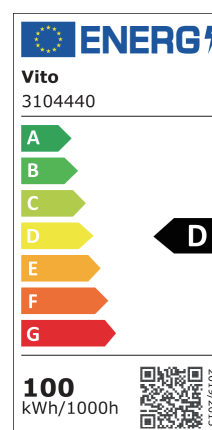


Product Data Sheet

LED STREET LAMP

TIGER - 100W

CODE: **3104440**



Area of application

-Parks, Gardens, Streets, Avenues,
Loading Areas, Highways

Product Advantages

Exclusive VITO design with 3 years or warranty.

Lumileds brand LED chip inside.

Direct replacement for conventional street lights with High Pressure Bulbs.

Moving pole adaptor with adjustable angle included (55-62mm).

With 4kV Surge Protection.

Power Factor is >0.9

Available certificates: CE; EMC, LVD

Product Data Sheet

LED STREET LAMP

TIGER - 100W

CODE: **3104440**

Product Features

Power: 100W

Luminaire efficacy: 120 lm/W

Luminous flux: 12000lm

Colour temperature: 4000K

Beam angle: 70*135°

IP Class: IP65

IK Class: Class I

Lifetime: (L70/B50): up to 30000h

Dimmable: No

Voltage: 100-265V

Hyper Voltage Protection: 4KV

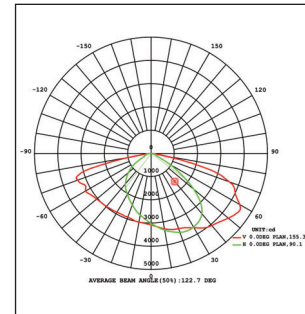
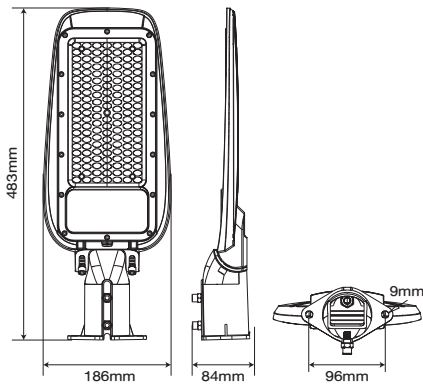
Body color: **RAL 7024**

Body Material: Aluminum+PC

Lens material: Polycarbonate

Ambient operating temperature: -20+60 °C

Guarantee: 3 years



Packing Informations

Dimensions: 505x414x380mm

Volume: 0.079m³

EAN-13: 6977231350089³

Gross Weight: 17.11kg

Pieces/box: 10