

Product Data Sheet

OUTDOOR LIGHTING

SOLIGHT 4W

CODE: **3210150**



Area of application

Solar LED Floodlight for general outdoor lighting applications to be installed on outwalls of offices, hospitals, schools, shopping malls, parks, warehouses, industrial facilities..

Product Advantages

SOLIGHT P is a solar waterproof, IP44, projectors equipped with SMD LEDs, PIR & photosensor. Made of ABS and Panel: Polycrystalline 5.5V, 2.6W and Battery: Lithium 18650 3.7V 1.8Ah. Charging Time: 6-8 hours and Discharging Time: 6-8 hours with sensor use. Function: photosensor + PIR sensor.

Human sensor Mode 1: In the dark, the light will be on consistently.

Human sensor mode 2: In the dark, it will be weak light and automatically on strong light for 15s once sensing people movement and back to weak light afterwards

Light Sensor Mode 3: In the dark, the light will automatically on for 15s once sensing people movement and off afterwards. Detection Distance of PIR Sensor: 3-5m. Installation Height: 2-3m.

Product Data Sheet

OUTDOOR LIGHTING

SOLIGHT 4W

CODE: 3210150

Product Features

Electrical

Power: 4Watt

Voltage:

Power Factor: >0.9

Electrical Protection: --

Surge Protection: --

Dimmability: Yes

Switch Cycle: 30000 times

Material Characteristics

IP Class: IP44

IK Class: -

Material: ABS

Ambient Temperature: --

Body Color: BLACK

Product Size: 168x174x87mm

Lighting

Lumen: 550 Lm

Luminaire efficacy: 137,5 Lm/W

Colour Temperature: 6400K (COOL WHITE)

Beam Angle: 180°

CRI : Ra >80

Lifetime; 50000 Hours

EEL : --

Packing Informations

Pieces/Outbox: 32

Outbox Size: 540x420x420 mm

Outbox G.W.: 13,79 Kg

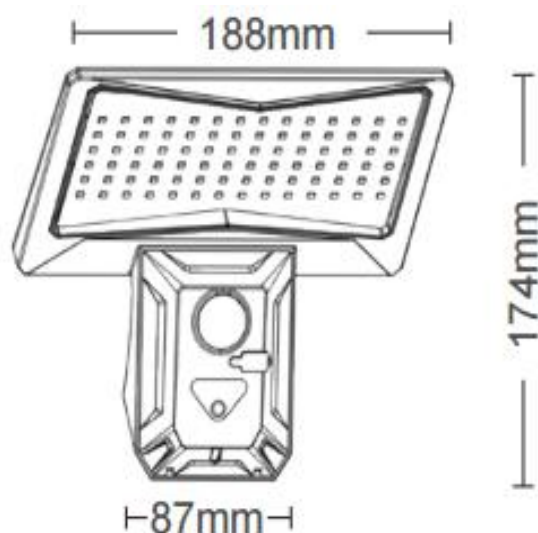
Outbox Volume: 0,0953 m³

Unit Weight: 430,94 gr

Barcode : 6972538047182

Technical Drawing

Light Distribution Curve



VITO EUROPE

102 Iztochna Tangenta str. 4th Floor

P.C. 1528, Sofia/Bulgaria

Phone: +359 2 4341575

E-mail: info@vitoeurope.com

www.vitolighting.com