

Product Data Sheet

OUTDOOR LIGHTING

SOLIGHT 1W

CODE: **3210180**



Area of application

Solar LED Floodlight for general outdoor lighting applications to be installed on outwalls of offices, hospitals, schools, shopping malls, parks, warehouses, industrial facilities..

Product Advantages

SOLIGHT W, is a solar waterproof, IP44, projector equipped with SMD LEDs, PIR & photosensor.

Made of: ABS

Panel: Polycrystalline 5.5V, 0.3W

Battery: Lithium 18650 3.7V 1.2Ah

Charging Time: 6-8 hours

Discharging Time: 6-8 hours with sensor use

Function: photosensor + PIR sensor.

Human Sensor Mode: In the dark, the light will automatically on for 15s once sensing people movement and off afterwards.

Detection Distance of PIR Sensor: 3-5m

Installation Height: 3-5m

VITO EUROPE

102 Iztochna Tangenta str. 4th Floor

P.C. 1528, Sofia/Bulgaria

Phone: +359 2 4341575

E-mail: info@vitoeuropa.com

www.vitolighting.com

Product Data Sheet

OUTDOOR LIGHTING

SOLIGHT 1W

CODE: **3210180**

Product Features

Electrical

Power (Watt): 1
Voltage:
Power Factor: >0.9
Electrical Protection: --
Surge Protection: --
Dimmability: Yes
Switch Cycle (Times): 30000

Material Characteristics

IP Class: IP44
IK Class: -
Material: ABS
Ambient Temperature: --
Body Color: BLACK
Product Size (mm): 124x96

Technical Drawing

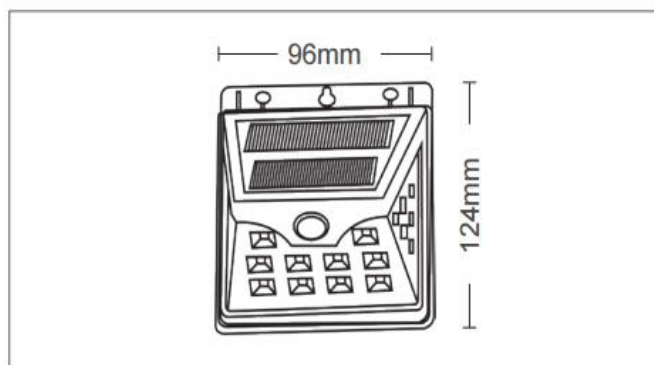
Lighting

Lumen (Lm): 110
Luminaire efficacy (Lm/W): 110
Colour Temperature: 6400K (COOL WHITE)
Beam Angle: 180°
CRI: Ra >80
Lifetime (Hours): 50000
EEL : --

Packing Informations

Pieces/Outbox: 100
Outbox Size (mm): 520x330x545
Outbox G.W. (Kg): 20,55
Outbox Volume (m³): 0,0935
Unit Weight (Gr): 205,5
Barcode : 6972538047212

Light Distribution Curve



System Definition: VT/SOLIGHT-W/1W/SMD/6500K/IP44/SOLAR LED WALLLIGHT

VITO EUROPE

102 Iztochna Tangenta str. 4th Floor
P.C. 1528, Sofia/Bulgaria
Phone: +359 2 4341575
E-mail: info@vitoeurope.com

www.vitolighting.com