

Product Data Sheet

OUTDOOR LIGHTING

SOLIGHT 3W

CODE: **3210190**



Area of application

Solar LED Floodlight for general outdoor lighting applications to be installed on outwalls of offices, hospitals, schools, shopping malls, parks, warehouses, industrial facilities..

Product Advantages

SOLIGHT F, is a solar waterproof, IP44, projector equipped with SMD LEDs, PIR & photosensor.

Made of: ABS

Panel: Polycrystalline 5.5V, 2W

Battery: Lithium 18650 3.7V 1.8Ah

Charging Time: 6-8 hours

Discharging Time: 6-8 hours with sensor use

Function: photosensor + radar sensor.

Human sensor mode: In the dark, it will be weak light and automatically on strong light for 15s once sensing people movement and back to weak light afterwards.

Detection Distance of PIR Sensor: 3-5m

Installation Height: 2-3m

VITO EUROPE

102 Iztochna Tangenta str. 4th Floor

P.C. 1528, Sofia/Bulgaria

Phone: +359 2 4341575

E-mail: info@vitoeurope.com

www.vitolighting.com

Product Data Sheet

OUTDOOR LIGHTING

SOLIGHT 3W

CODE: **3210190**

Product Features

Electrical

Power (Watt): 3
Voltage:
Power Factor: >0.9
Electrical Protection: --
Surge Protection: --
Dimmability: Yes
Switch Cycle (Times): 30000

Material Characteristics

IP Class: IP44
IK Class: -
Material: ABS
Ambient Temperature: --
Body Color: BLACK
Product Size (mm): 210x110

Technical Drawing

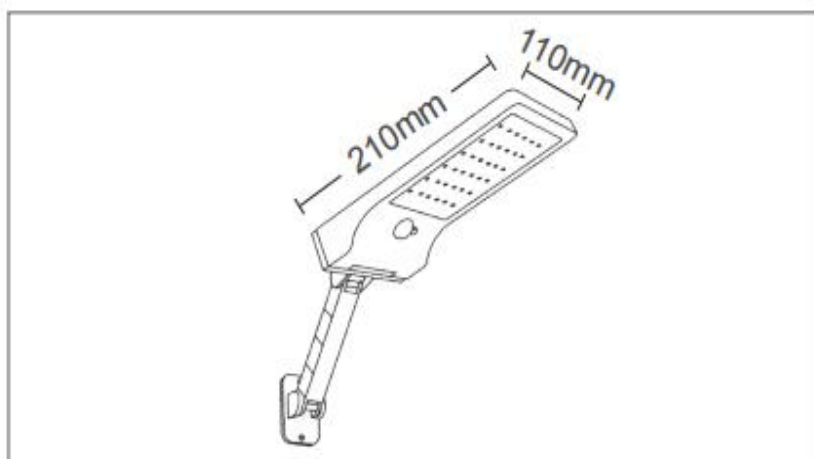
Lighting

Lumen (Lm): 440
Luminaire efficacy (Lm/W): 146,7
Colour Temperature: 6400K (COOL WHITE)
Beam Angle: 180°
CRI: Ra >80
Lifetime (Hours): 50000
EEL : --

Packing Informations

Pieces/Outbox: 50
Outbox Size (mm): 600x200x450
Outbox G.W. (Kg): 16,7
Outbox Volume (m³): 0,054
Unit Weight (Gr): 334
Barcode : 6972538047229

Light Distribution Curve



System Definition: VT/SOLIGHT-F/3W/SMD/6500K/IP44/SOLAR LED WALLLIGHT

VITO EUROPE

102 Iztochna Tangenta str. 4th Floor
P.C. 1528, Sofia/Bulgaria
Phone: +359 2 4341575
E-mail: info@vitoeurope.com

www.vitolighting.com