

Product Data Sheet

OUTDOOR LIGHTING

SAHARA 150W

CODE: **3210210**



Area of application

Solar LED Floodlight to be used as an energy saver alternative of conventional Floodlights to be installed in all residential & commercial & industrial areas..

Product Advantages

SAHARA 150, is a solar waterproof, IP65, projector equipped with SMD LEDs & photosensor. Transparent diffuser. Housing of ABS in black color. polycarbonate solar panel and glass. New type ETFE Photovoltaic monocrystalline panel 5V - 15W. Battery: Lithium 3xLiFePO4 3.2V 12000mAh Charging time: 6-8h Autonomy: 12-14h Is equipped with remote control with the following functions: ON - Brightness will be decreased from 100%, the light will be off after 12-14 hours. OFF - Light off. HIGH LIGHT - The button is effective when the light is on, the brightness will keep 165%, and light will be off after 3 hours. SLIGHTLY LIGHT - The button is effective when the light is on, the brightness will keep 35%, and the light will be off after 12-14 hours. 2H - Keep 165% brightness, the light will be off after 2 hours. 4H - Brightness will be decreased from 100%, the light will be off after 4 hours. 6H - Brightness will be decreased from 100%, the light will be off after 6 hours. AUTO - brightness will be decreased from 100%, the light will be off after 12-14 hours.

Product Data Sheet

OUTDOOR LIGHTING

SAHARA 150W

CODE: 3210210

Product Features

Electrical

Power (Watt): 150

Voltage: 3.2V DC

Power Factor: --

Electrical Protection: Class III

Surge Protection: --

Dimmability: NO

Switch Cycle (Times): 30000

Material Characteristics

IP Class: IP65

IK Class: -

Material: ABS

Ambient Temperature: -10°C<ta<+55°C

Body Color: BLACK

Product Size (mm): 249x200x48

5m Cable

Lighting

Lumen (Lm): 1650

Luminaire efficacy (Lm/W): 11

Colour Temperature: 6000K (COOL WHITE)

Beam Angle: 90°

CRI: Ra >80

Lifetime (Hours): 30000

EEL : --

Packing Informations

Pieces/Outbox: 5

Outbox Size (mm): 495x426x272

Outbox G.W. (Kg): 13,41

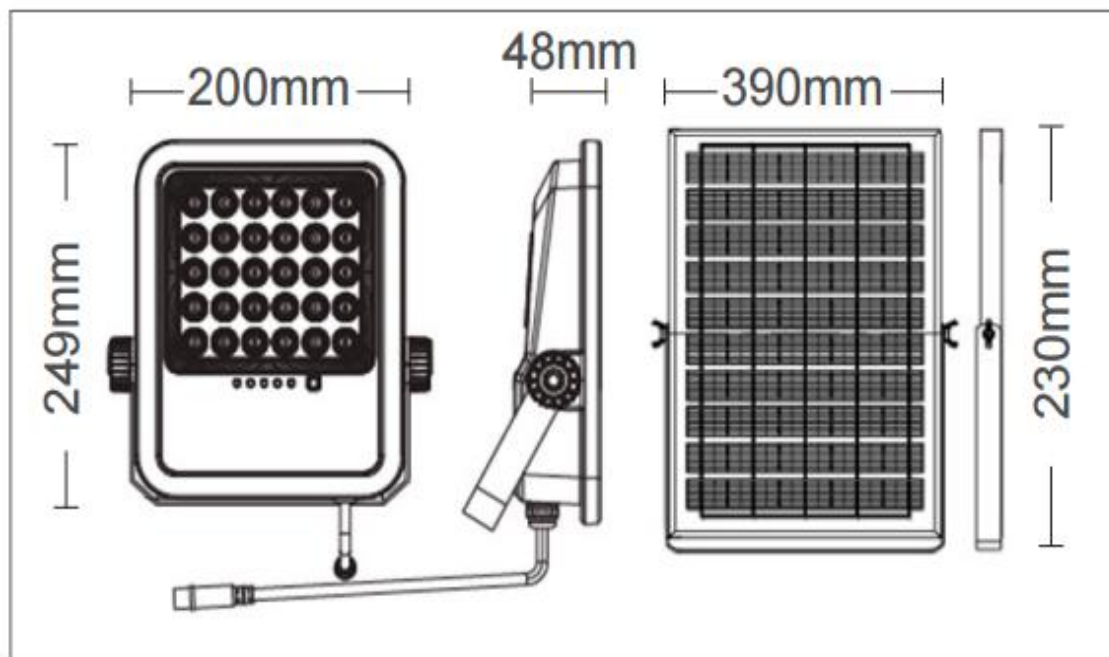
Outbox Volume (m³): 0,0574

Unit Weight (Gr): 2682

Barcode : 6970233830924

Technical Drawing

Light Distribution Curve



System Definition: VT/SAHARA/150W/60K/IP65/5MCABLE/SOLAR FLOODLIGHT

VITO EUROPE

102 Iztochna Tangenta str. 4th Floor

P.C. 1528, Sofia/Bulgaria

Phone: +359 2 4341575

E-mail: info@vitoeurope.com

www.vitolighting.com