

# Product Data Sheet

## OUTDOOR LIGHTING

SAHARA 250W

CODE: 3210220



### Area of application

Solar LED Floodlight to be used as an energy saver alternative of conventional Floodlights to be installed in all residential & commercial & industrial areas..

### Product Advantages

SAHARA 250, is a solar waterproof, IP65, projector equipped with SMD LEDs & photosensor. Transparent diffuser. Housing of ABS in black color. polycarbonate solar panel and glass. New type ETFE Photovoltaic monocrystalline panel 5V - 20W. Battery: Lithium 5xLiFePO4 3.2V 20000mAh Charging time: 6-8h Autonomy: 12-14h Is equipped with remote control with the following functions: ON - Brightness will be decreased from 100%, the light will be off after 12-14 hours. OFF - Light off. HIGH LIGHT - The button is effective when the light is on, the brightness will keep 165%, and light will be off after 3 hours. SLIGHTLY LIGHT - The button is effective when the light is on, the brightness will keep 35%, and the light will be off after 12-14 hours. 2H - Keep 165% brightness, the light will be off after 2 hours. 4H - Brightness will be decreased from 100%, the light will be off after 4 hours. 6H - Brightness will be decreased from 100%, the light will be off after 6 hours. AUTO - Brightness will be decreased from 100%, the light will be off after 12-14 hours.

# Product Data Sheet

## OUTDOOR LIGHTING

SAHARA 250W

CODE: 3210220

### Product Features

#### Electrical

Power (Watt): 250

Voltage: 3.2V DC

Power Factor: --

Electrical Protection: Class III

Surge Protection: --

Dimmability: NO

Switch Cycle (Times): 30000

#### Material Characteristics

IP Class: IP65

IK Class: -

Material: ABS

Ambient Temperature: -10°C<ta<+55°C

Body Color: BLACK

Product Size (mm): 283x260x48

5m Cable

#### Lighting

Lumen (Lm): 2750

Luminaire efficacy (Lm/W): 11

Colour Temperature: 6000K (COOL WHITE)

Beam Angle: 90°

CRI: Ra >80

Lifetime (Hours); 30000

EEL : --

#### Packing Informations

Pieces/Outbox: 5

Outbox Size (mm): 495x426x342

Outbox G.W. (Kg): 17,02

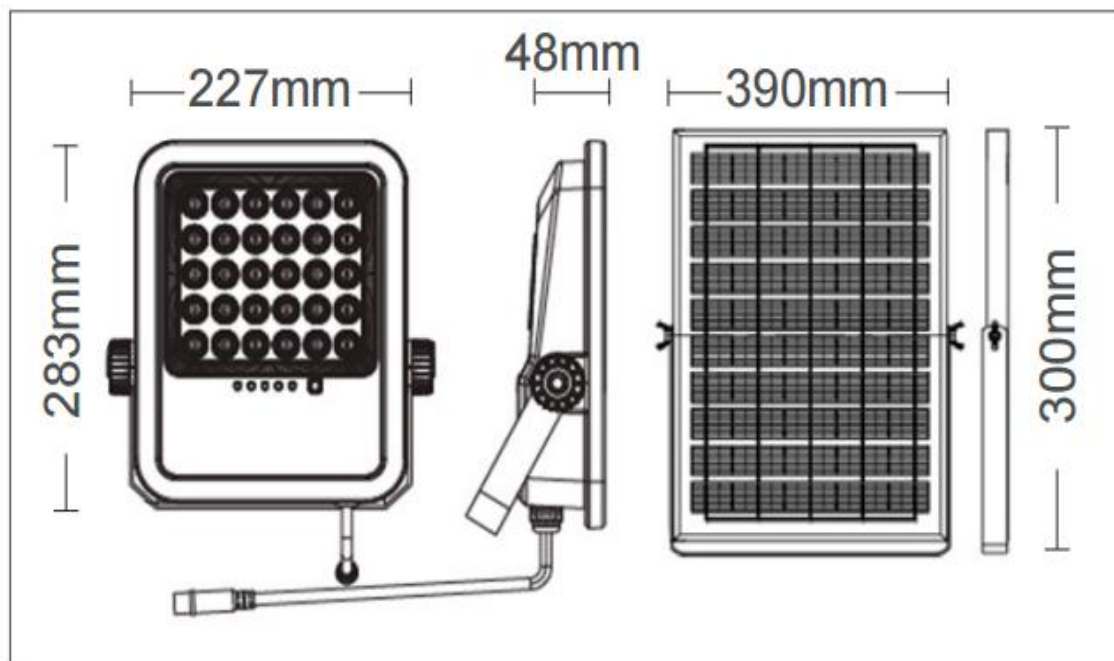
Outbox Volume (m<sup>3</sup>): 0,0721

Unit Weight (Gr): 3404

Barcode : 6970233830931

### Technical Drawing

### Light Distribution Curve



System Definition: VT/SAHARA/250W/60K/IP65/5MCABLE/SOLAR FLOODLIGHT

VITO EUROPE

102 Iztochna Tangenta str. 4th Floor

P.C. 1528, Sofia/Bulgaria

Phone: +359 2 4341575

E-mail: info@vitoeurope.com

[www.vitolighting.com](http://www.vitolighting.com)