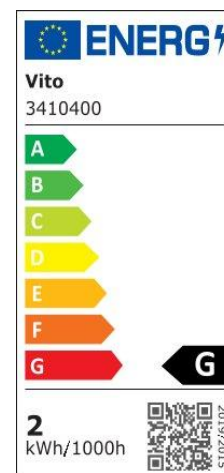


Product Data Sheet

INDOOR LIGHTING

TINO-S 2W

CODE: 3410400



Area of application

Round recessed LED spot light with full metal body.

For outdoor lighting applications to be installed on walls of corridors/rooms in homes, shopping malls, commercial areas..

Product Advantages

TINO is a family of waterproof (IP65) wall recessed light fittings equipped with LED sources. The solutions subject of proposal vary in terms of form and type of installation, with one common denominator: the quality of our products. Housing of aluminium painted with sandblasted finishing in sand black & white. Semi transparent diffuser made by ABS. Driver included in the package.

Product Data Sheet

INDOOR LIGHTING

TINO-S 2W

CODE: 3410400

Product Features

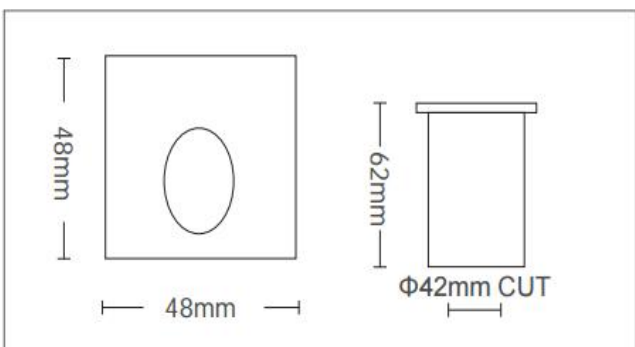
Electrical

Power: 2Watt
Voltage: 100-240V AC ~ 50/60Hz
Power Factor: >0.5
Electrical Protection: Class II
Surge Protection: --
Dimmability: NO
Switch Cycle: 25000 times

Material Characteristics

IP Class: IP65
IK Class: -
Material: Aluminum+ABS
Ambient Temperature: -25°C<ta<+50°C
Body Color: WHITE
Product Size: $\Phi 48 \times 61.5$ mm

Technical Drawing



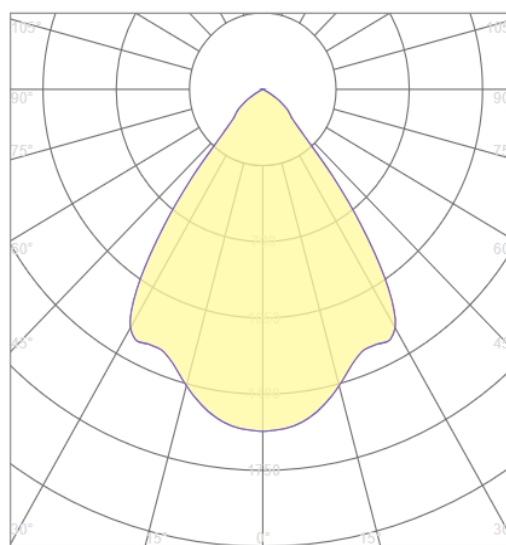
Lighting

Lumen: 110 Lm
Luminaire efficacy: 55 Lm/W
Colour Temperature: 3000K (WARM WHITE)
Beam Angle: 75°
CRI : Ra >80
Lifetime; 25000 Hours
EEL : G

Packing Informations

Pieces/Outbox: 50
Outbox Size: 300x150x300 mm
Outbox G.W.: 4,8 Kg
Outbox Volume: 0,0135 m³
Unit Weight: 96 gr
Barcode : 6972538049681

Light Distribution Curve



VITO EUROPE

102 Iztochna Tangenta str. 4th Floor

P.C. 1528, Sofia/Bulgaria

Phone: +359 2 4341575

E-mail: info@vitoeurope.com

www.vitolighting.com