

Product Data Sheet

INDOOR LIGHTING

ESTELLE Max 100W

CODE: 7320150



Area of application

Decorative lampholder with textile-braided wire and electro-plated rosette for indoor lighting applications to be installed as pendant

Product Advantages

ESTELLE series Pendants with electroplated metal-sheet body and ceramic lampholder presents a long lifetime. This model includes an E27 socket for the desired lighting flexibility. It's ready to be operated with its easy installation and maintenance. The cable that we use for ESTELLE series products is made of fabric textile.

Product Data Sheet

INDOOR LIGHTING

ESTELLE Max 100W

CODE: 7320150

Product Features

Electrical

Power (Watt): Max 100

Voltage: 220-240V AC ~ 50/60Hz

Power Factor: --

Electrical Protection: Class II

Surge Protection: --

Dimmability: --

Switch Cycle (Times): --

Material Characteristics

IP Class: IP20

IK Class: -

Material: Metal Sheet & Ceramic

Ambient Temperature: -20°C<ta<+50°C

Body Color: MAT GOLD

Product Size (mm): 75x(cable)1000

Lighting

Lumen (Lm): --

Luminaire efficacy (Lm/W): --

Colour Temperature: --

Beam Angle: --

CRI: Ra --

Lifetime (Hours): --

EEL : --

Packing Informations

Pieces/Outbox: 50

Outbox Size (mm): 460x340x250

Outbox G.W. (Kg): 10,5

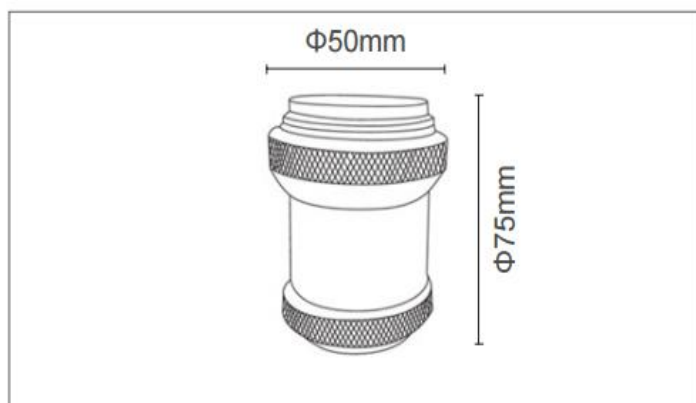
Outbox Volume (m³): 0,0391

Unit Weight (Gr): 210

Barcode : 6970233837770

Technical Drawing

Light Distribution Curve



System Definition: VT/ESTELLE-A/E27/MAX.100W/M.GOLDEN/BASIC PENDANT

VITO EUROPE

102 Iztochna Tangenta str. 4th Floor

P.C. 1528, Sofia/Bulgaria

Phone: +359 2 4341575

E-mail: info@vitoeuropa.com

www.vitolighting.com