

Product Data Sheet

ELECTRICAL EQUIPMENT

VENTI-A100 12W

CODE: 8005200



WARRANTY



Area of application

Grill Type Exhaust Fan

Product Advantages

VENTI-A100 is a Grill Type Exhaust Fan. Exhaust air volume :180m³. Rotational speed:2400rpm. Noise:<30db

Product Data Sheet

ELECTRICAL EQUIPMENT

VENTI-A100 12W

CODE: 8005200

Product Features

Electrical

Power (Watt): 12

Voltage: 220-240V ~ 50/60Hz

Power Factor: 1

Electrical Protection: Class II

Surge Protection: --

Dimmability: --

Switch Cycle (Times): --

Material Characteristics

IP Class: IPX2

IK Class: -

Material: PP

Ambient Temperature: -10°C<ta<+40°C

Body Color: WHITE

Product Size (mm): 157x157x80

Lighting

Lumen (Lm): --

Luminaire efficacy (Lm/W): --

Colour Temperature: --

Beam Angle: --

CRI: Ra --

Lifetime (Hours): --

EEL : --

Packing Informations

Pieces/Outbox: 20

Outbox Size (mm): 445x340x360

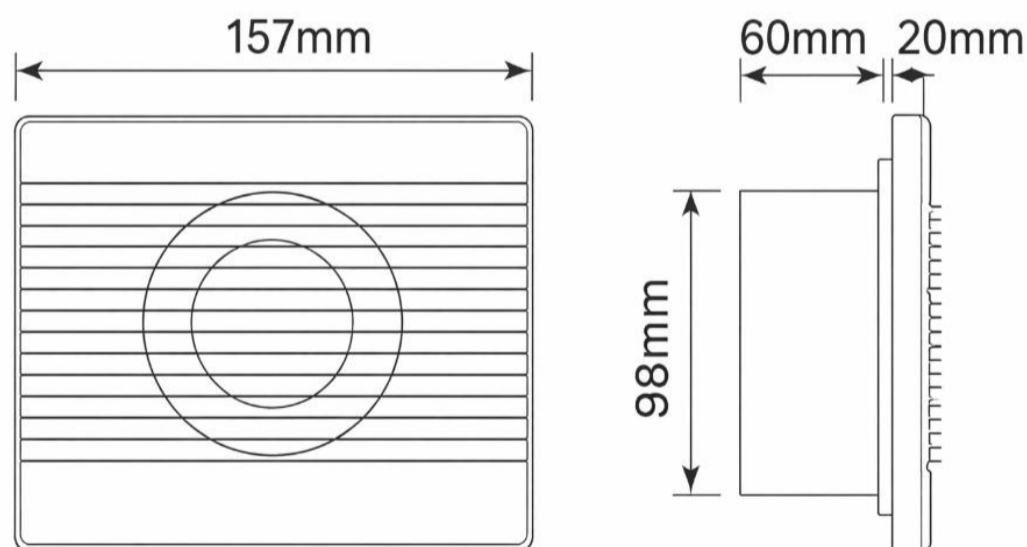
Outbox G.W. (Kg): 10,7

Outbox Volume (m³): 0,054468

Unit Weight (Gr): 535

Barcode : 6977231354797

Technical Drawing



System Definition: VT/VENTI-A100/GRILL/Ø100MM/12W/WHITE/AIR VENTILATION

VITO EUROPE

102 Iztochna Tangenta str. 4th Floor

P.C. 1528, Sofia/Bulgaria

Phone: +359 2 4341575

E-mail: info@vitoeuropa.com

www.vitolighting.com